

9.2.1 TECHNICAL DATA

MAX OPERATING PRESSURE: 630 BAR

PRESSURE TEST: 1.43 X PS

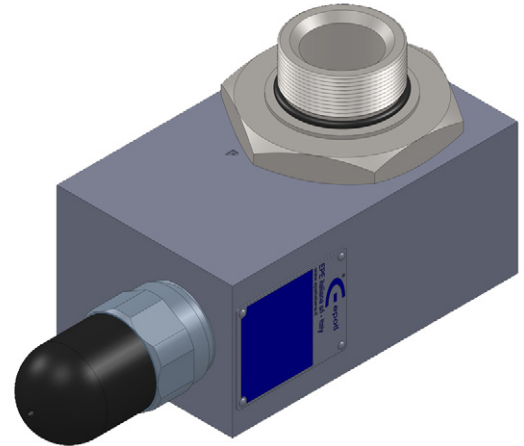
NOMINAL SIZE: 6, 10, 20

BODY MATERIAL: galvanized carbon steel

SEALS MATERIAL: Nitrile (NBR)
Viton (FKM)

See Table 9.2c and or Section 1.8

WEIGHT: see Table 9.2

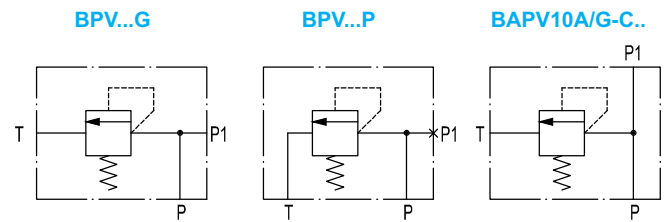


9.2a

9.2.2 DESCRIPTION

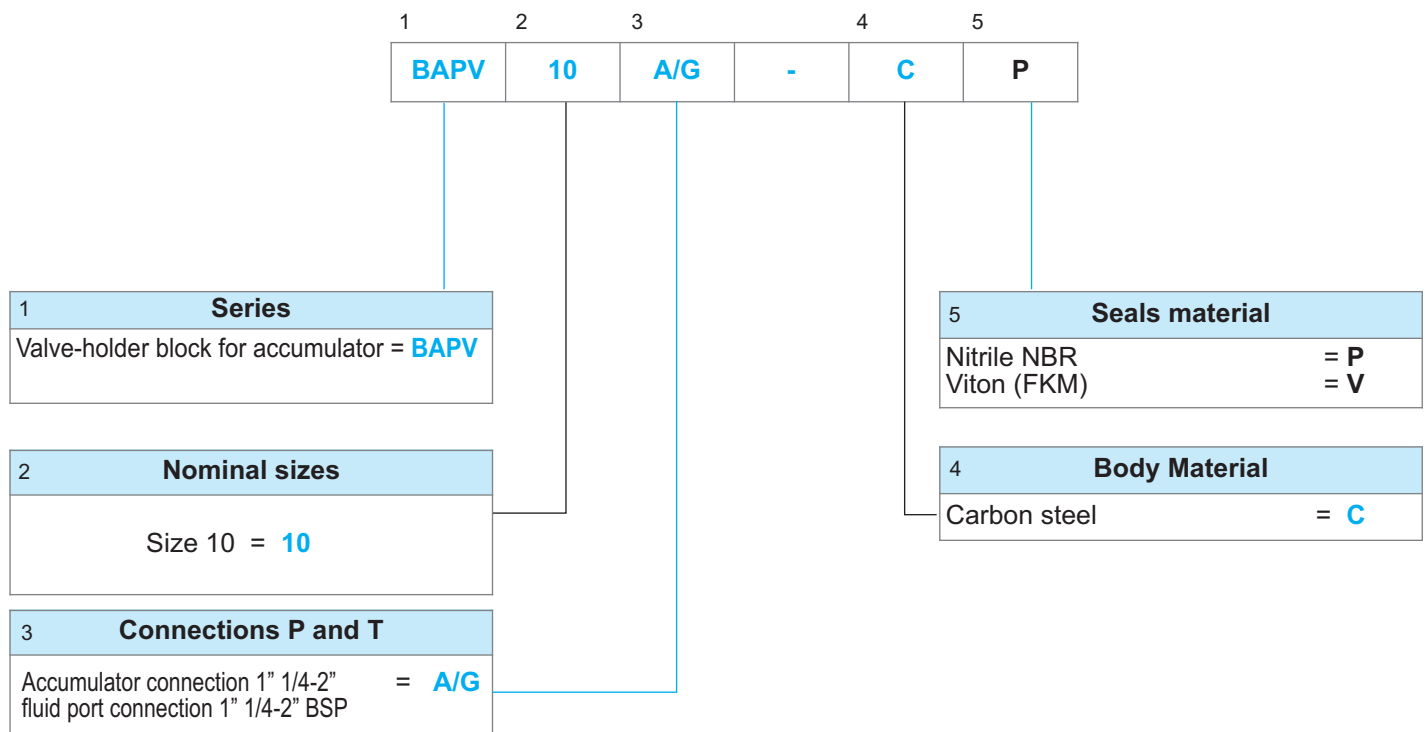
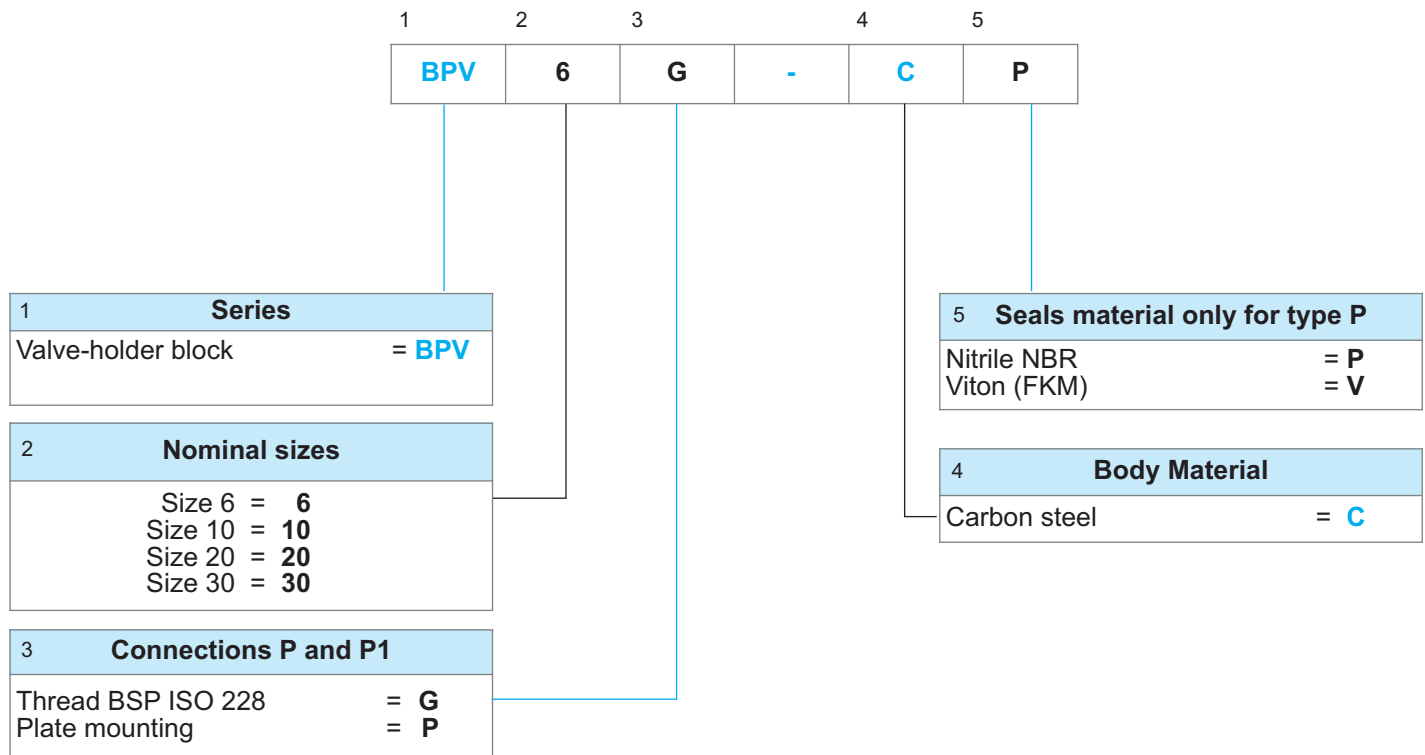
These blocks are used for installation of safety valves type DBDS (see Section 9.1) which must be ordered separately. The BPV type is built in sizes 6, 10, 20 and in the "G" versions with the threaded connections BSP ISO 228 or in the "P" version for mounting on plate. BAPV type instead can be mounted through a double thread nipple directly on the fluid valve of the bladder accumulators with a connection of 1"1/4 (type AS5 and ASA1) or 2" BSP (type AS10÷55, ASA2.5÷15) or with appropriate adaptors (see Section 9.4) directly on the back side of a fluid piston accumulator. This version is built only to accommodate the safety valves DBDS10.

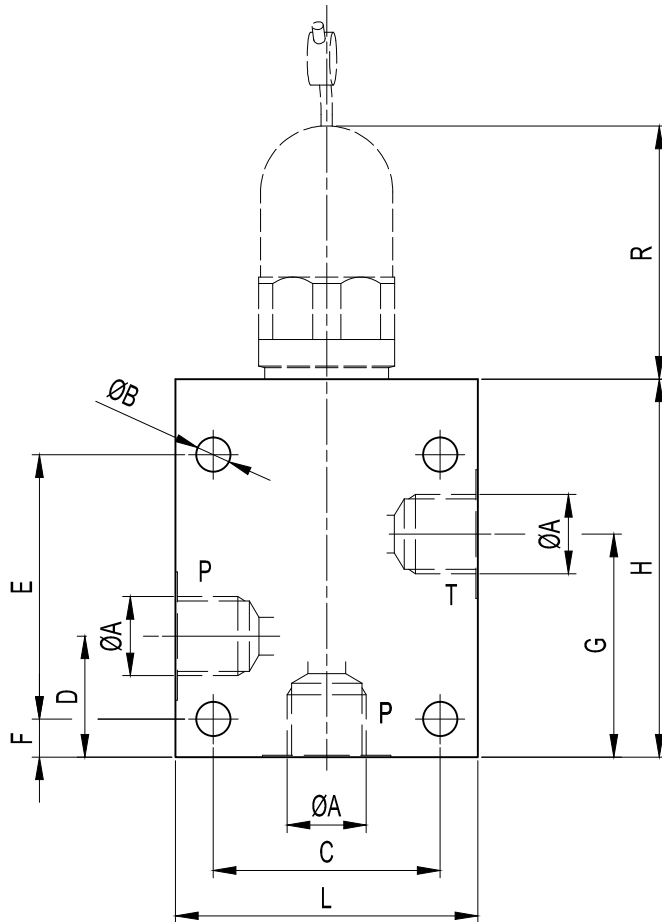
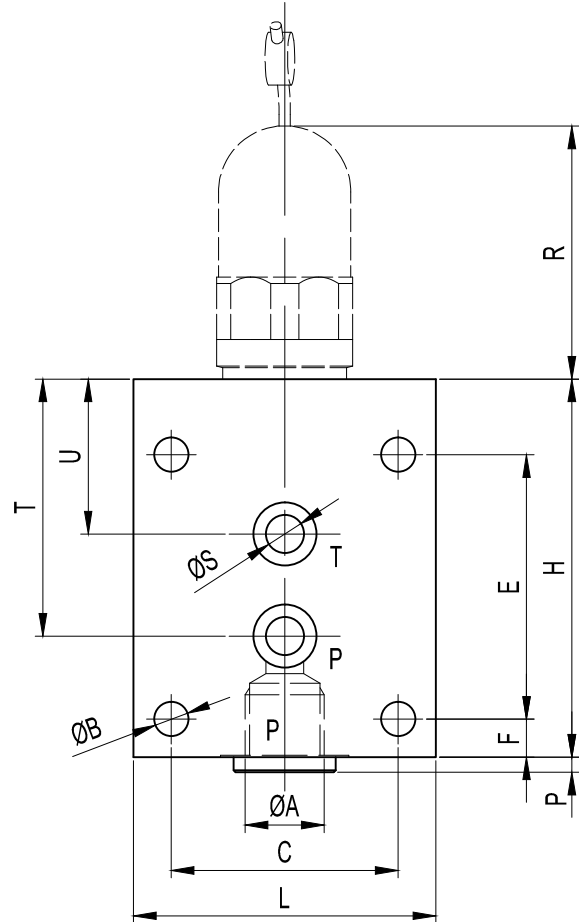
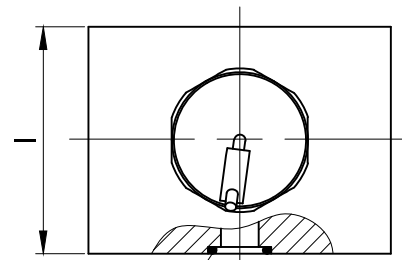
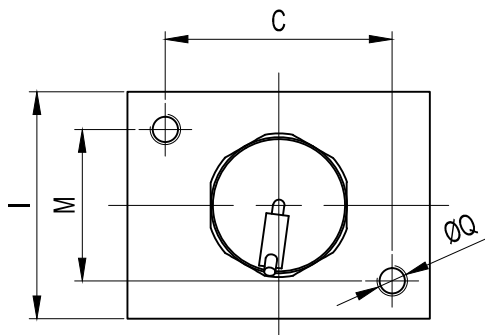
9.2.2 HYDRAULIC SYMBOL



9.2b

9.2.3 ORDER CODE



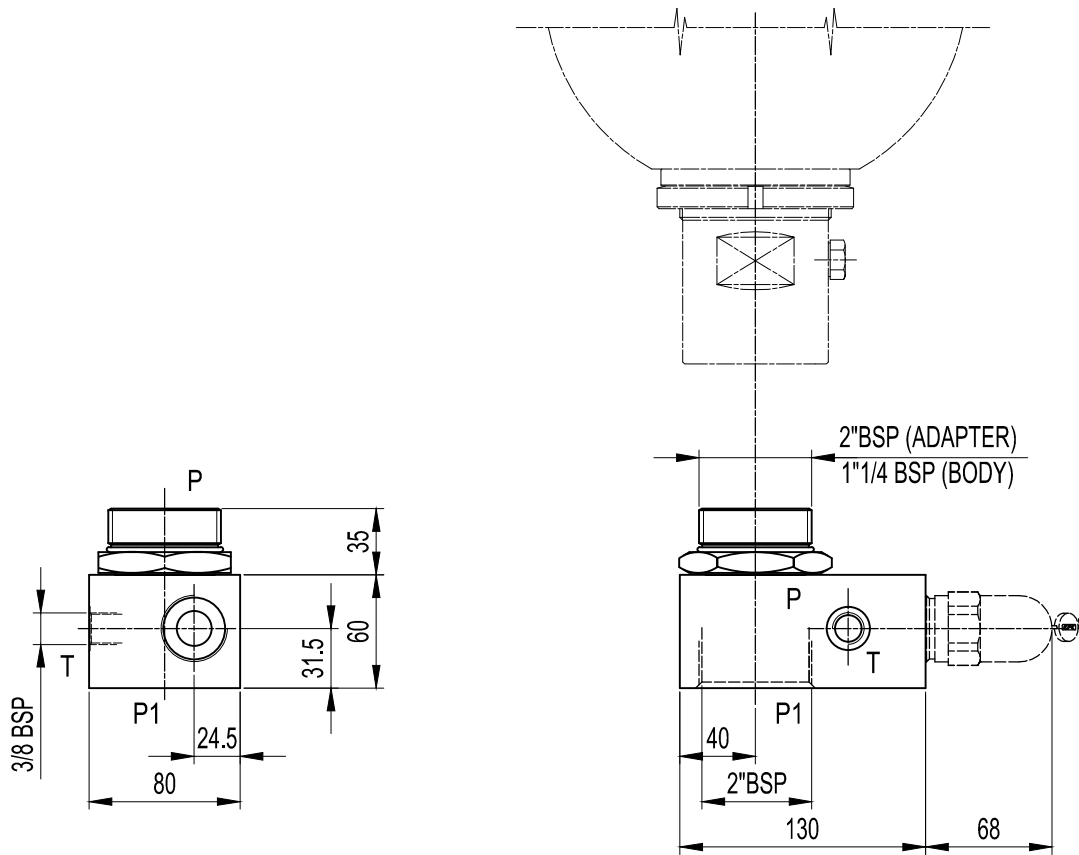
**9.2.4.1 DIMENSIONS
BPV "G" & "P" TYPE**

BLOCK "G" TYPE

BLOCK "P" TYPE
9.2c


Block order code	Valve order code	Ø A BSP	Ø B mm	C mm	D mm	E mm	F mm	G mm	H mm	I mm	L mm	M mm	P mm	Ø Q mm	R mm	S mm	T mm	U mm	OR metric	Weight Kg
BPV 6... - C*	DBD... 6 K 1....	1/4"	6.6	45	25	55	10	45	80	40	60	25	4	M6	72	6	55	35	0010M7x1.5-*	1.5
BPV 10... - C*	DBD... 10 K 1....	1/2"	9	60	32	70	10	59	100	60	80	40	4	M8	68	10	65	41	0010M12.3x2.4-*	3.7
BPV 20... - C*	DBD... 20 K 1....	1"	9	70	50	100	15	81	135	70	100	50	5.5	M8	65	20	85	54	0010M22x3-*	6.4
BPV 30... - C*	DBD... 30 K 1....	1" 1/2"	11	100	70	130	25	120	180	90	130	60	5.5	M10	83	30	110	60	0010M22x3-*	13.9

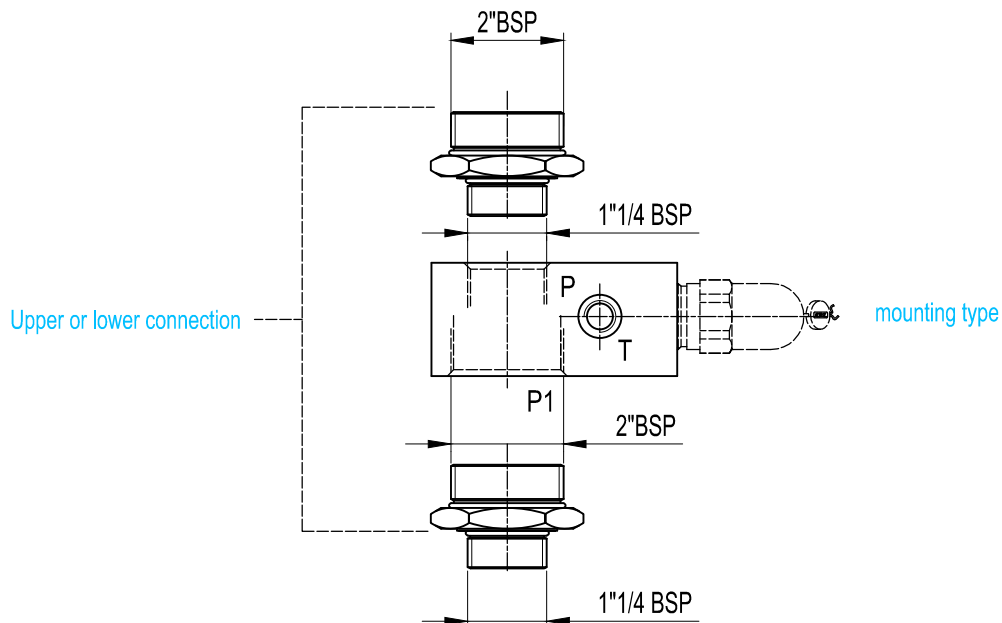
For "DBDS K" valve seat see chapter 9.1.7.1 table 9.1e

9.2d

BAPV10 TYPE



9.2e



9.2f

Block order code BAPV 10 A/G - C *

* gasket material

Reproduction is forbidden.

In the spirit of continuous improvement, our products may be changed.