

8.6.1 TECHNICAL DATA

INTERNAL DIAMETER: 32 mm

MAX OPERATING PRESSURE: 400 BAR

WORKING TEMPERATURE:

-20 ÷ 80 °C ("P" version with NBR seals)

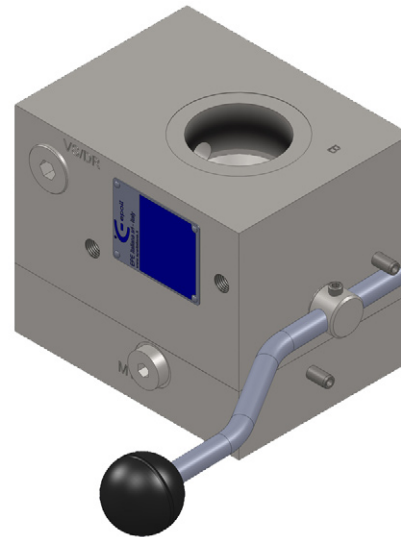
-10 ÷ 150°C("V" version with VITON seals)

SAFETY VALVE: see catalogue section 8.1

BURST FUSE DISK: see catalogue section 8.2

MATERIAL: - phosphated

WEIGHT: see table 8.6c

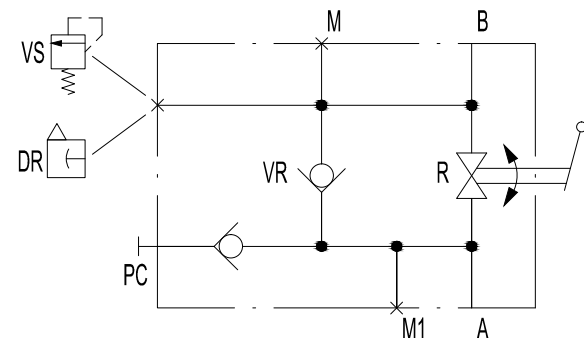


8.6a

8.6.2 DESCRIPTION

Accumulator charging and shut-off safety block type BC is used in order to make safer and more practical the connection of one or more additional nitrogen cylinders with a bladder (transfer version "AST") or a piston accumulator. It includes the filling valve to charge and test the pre-charge of the accumulator through pre-loading set PC (see catalogue Section 10). In addition, it allows the additional nitrogen cylinders to be shut-off from the (bladder or piston) accumulator. The check valve guarantees the nitrogen passage from the accumulator to the cylinders even when the ball valve is closed. It is possible to connect directly a safety valve or a burst/fuse disk. Also it has two connections for pressure gauge / pressure transmitter / pressure plugs Minimess or needle-valve. When the shut-off valve remains open during the operation in order to assure the free nitrogen flow between cylinders and accumulator and vice versa, it should be closed only for a check or for the accumulator maintenance or for use the accumulator as pump for filling the cylinders/accumulation station.

8.6.3 HYDRAULIC SYMBOL

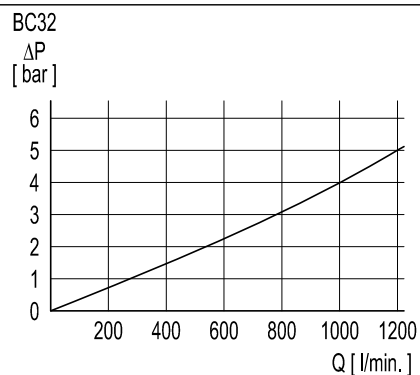


8.6b

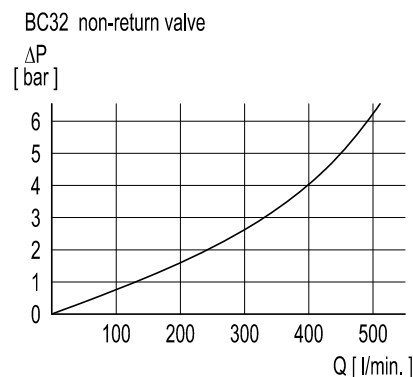
8.6.4 CHARACTERISTIC CURVES

ΔP Curves

Flow rate from A to B and viceversa



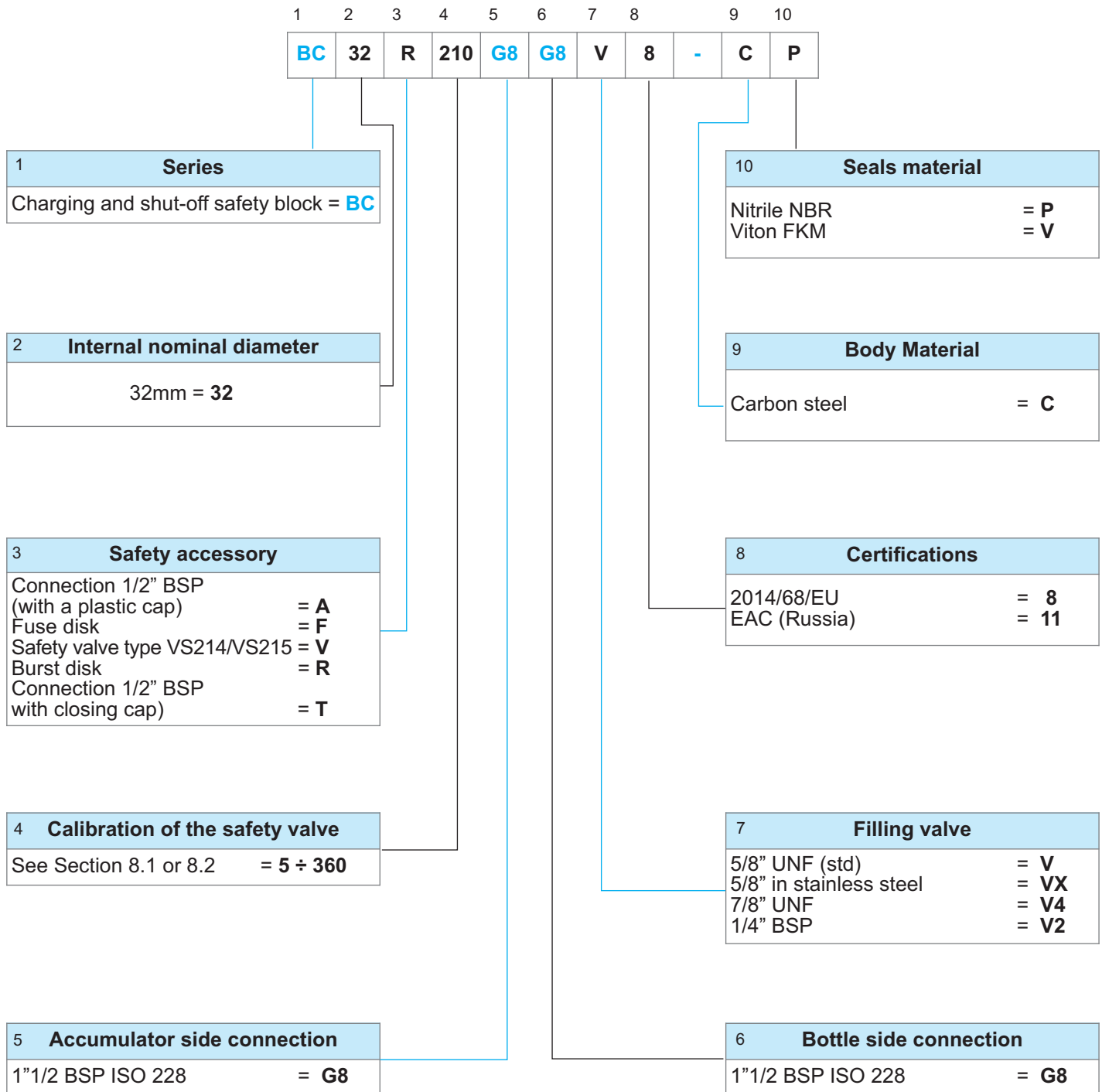
Flow rate from to A and B close to VR



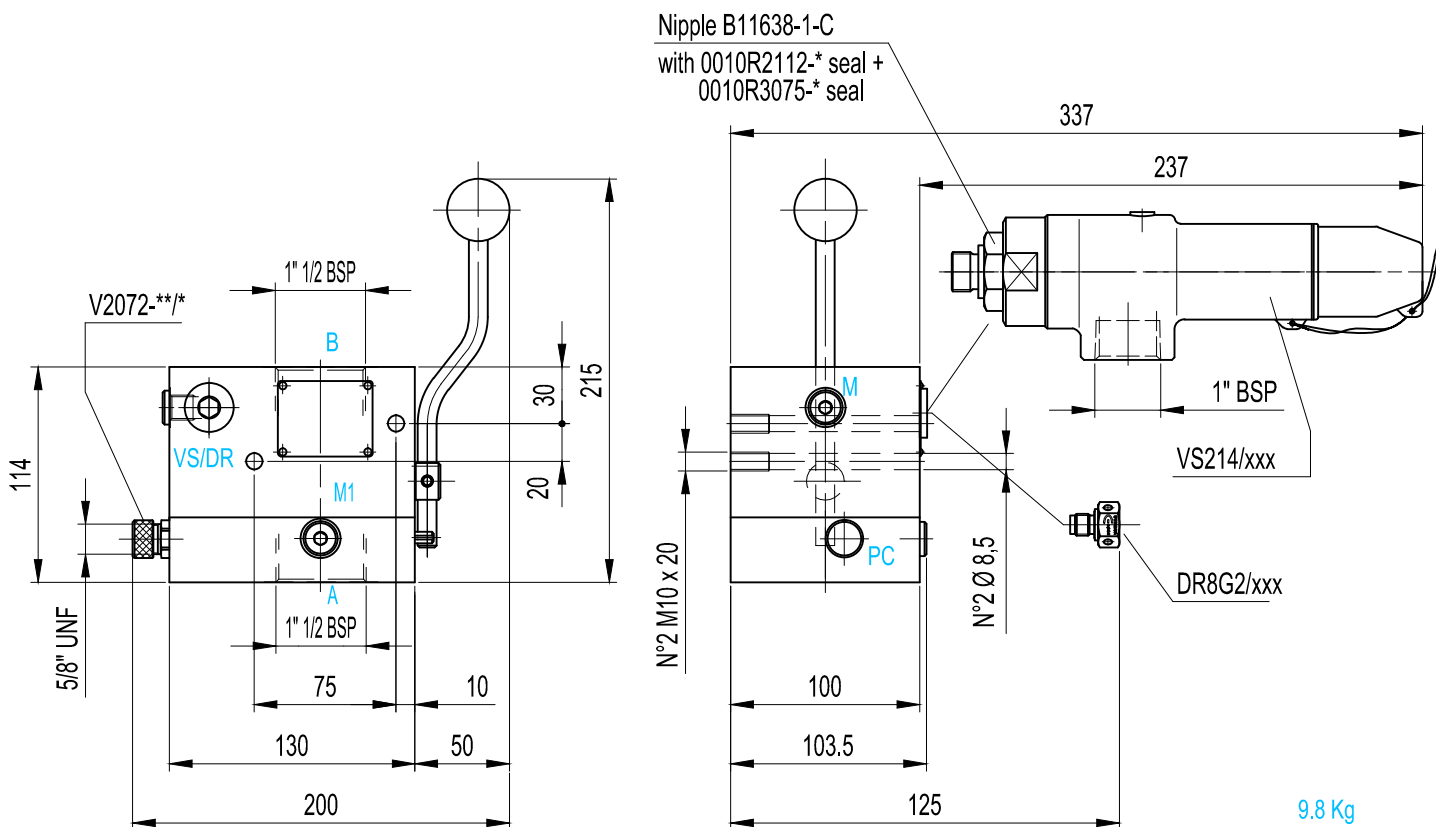
8.5d

8.6d

8.6.5 ORDER CODE



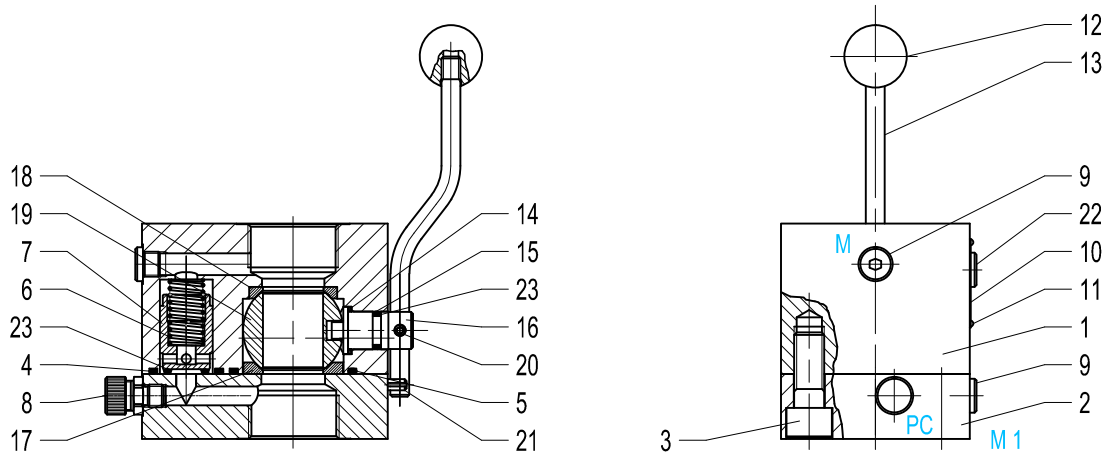
8.6.6 DIMENSIONS



8.6e

- M = 1/4" BSP
- M1 = 1/4" BSP
- VS/DR = 1/2" BSP
- A = 1" 1/2 BSP Accumulator connection
- B = 1" 1/2 BSP Bottle connection
- PC = 5/8" UNF

8.6.7 SPARE PARTS CODES



8.6f

Item	Description	Q.ty	Order code
1	Safety block BC32	1	Not supplied as spare part
2	Plate of closing	1	
3	Hex. socket head cap screws M16x40 UNI 5931	6	0022VTCEIM16x40-C2
4	"O" ring	1	0010R4131 - *
5	"O" ring	1	0010R0164 - *
6	Spring	1	B10149 - X
7	Nozzle	1	B11637 - CP
8	Standard gas valve assembly	1	V 2072 - ** / *
9	Plug with rubber seals 1/4" BSP	2	0031TG2-CP
10	Plate for block	1	B11024 - 6 - A
11	Hammer rivet	4	0029R1,9x5-C
12	Knob M10	1	0055P5.35-M10-EA
13	Handle	1	B10482 - C
14	Seal for pin	1	B10487 - D
15	"O" ring	1	0010R0119 - *
16	Pin	1	B10480R - C
17	Gasket for ball 52.7x6	1	0013913815-RN
18	Gasket for ball 46.5x6	1	0013G913813-RN
19	Ball DN32	1	0052S907344-RN
20	Set screw M6x8 UNI 5927-67	1	0022VSTEIM6x8-CZ
21	Spring pins 6x26 UNI 6873	2	0023E6x26-C
22	Plug 1/2" BSP	1	0031TG4-CP
23	Antiextrusion ring Parbak	1	0011P8113 - *
	Gasket sets	1	B2371-* { 0010R4131-* 0010R0164-* B10487-D 0010R0119-* 0010P8113-*
	Ball sets	1	B2135-* { 0013913815-RN 0013G913813-RN 0052S907344-RN

* Gasket material ** Component material

8.6g

Reproduction is forbidden.

In the spirit of continuous improvement, our products may be changed.

