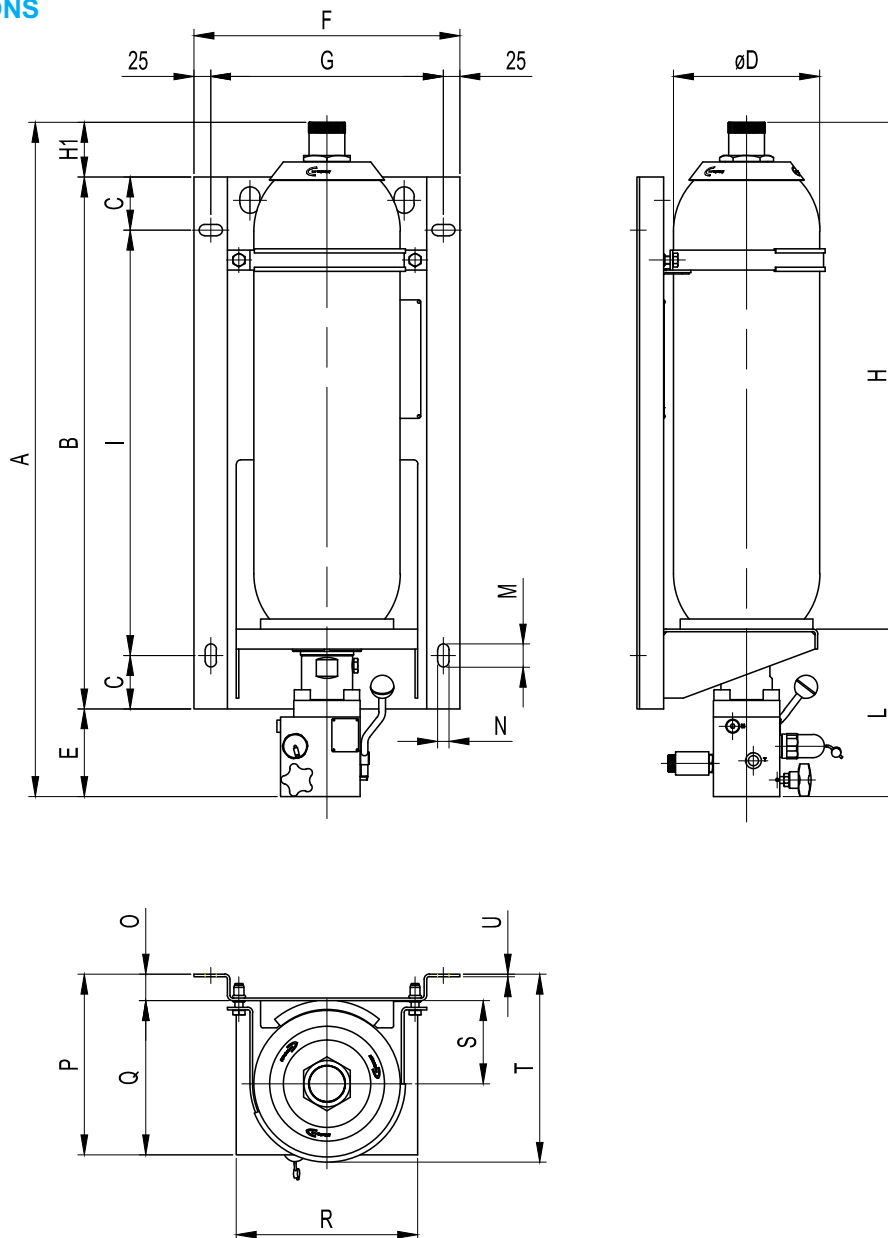


7.4.5 DIMENSIONS



7.4b

Accumulator type	A	B	C	øD	E	F	G	H	H1	I	L	M	N	O	P	Q	R	S	T	U
AS10	714	540	40	220	144	400	350	450	30	460	264	35	17	40	272	232	270	125	283	4
AS15	864	540	40	220	144	400	350	600	180	460	264	35	17	40	272	232	270	125	283	4
AS20	1019	790	40	220	144	400	350	755	85	710	264	35	17	40	272	232	270	125	283	4
AS25	1189	790	40	220	144	400	350	925	255	710	264	35	17	40	272	232	270	125	283	4
AS35	1539	1360	40	220	144	400	350	1275	35	1280	264	35	17	40	272	232	270	125	283	4
AS55	2049	1360	40	220	144	400	350	1785	545	1280	264	35	17	40	272	232	270	125	283	4

Reproduction Is Forbidden.

In The Spirit Of Continuous Improvement, Our Products May Be Changed.