

### 8.5.1 TECHNICAL DATA

**MAX OPERATING PRESSURE:** 320 bar

**MINIMUM DIAMETER:** 19 mm

**CONNECTIONS:** 3/4" BSP UNI/ISO 228

**WORKING TEMPERATURE:** -20 ÷ 100

**FLUID VISCOSITY RANGE:** 10 ÷ 400 cSt

**RECOMMENDED VISCOSITY:** 36 cSt

**FLUID CONTAMINATION DEGREE:**

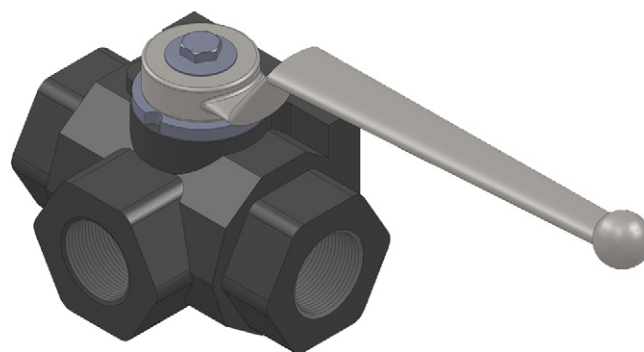
class 20/18/15 according to ISO 4406/99

**BODY MATERIAL:** phosphated carbon steel

**BALL:** in chromed thick steel

**SEALS:** polyacetal resin and NBR

**LEVER:** zinc-stamped



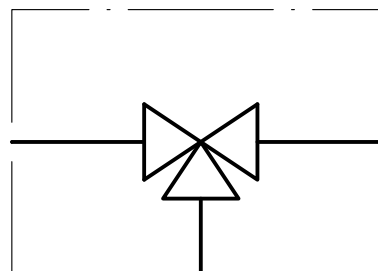
8.5a

### 8.5.2 DESCRIPTION

The three-way ball valve is used to mount two safety valves type VS224 and toggling the lever in a timely manner. You can also disassembly them once at a time for periodic recalibration, always having the system in safety, protected by at least one valve. In fact, the central transitory of the valve connects both valves with the sistem.

The ball of the valve is located between two pre-compressed seals with a floating system, so it is guaranteed a perfect seal at both low and high pressure.

### 8.5.4 HYDRAULIC SYMBOL



8.5b

### 8.5.3 ORDER CODE

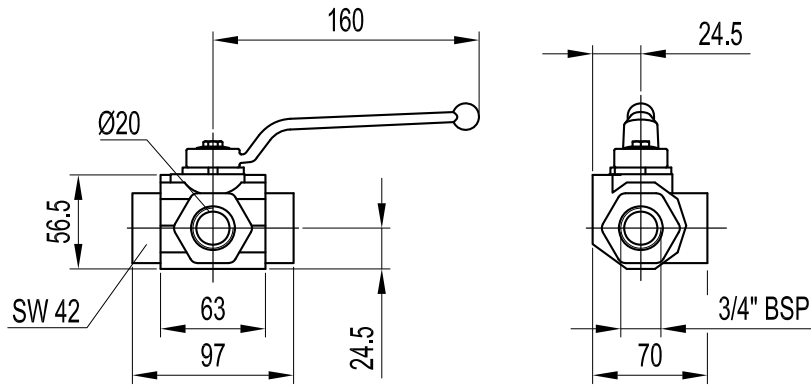
1	2	3
B2460	/	05 K

1	<b>Series</b>
Shut off 3-way valves gas side = <b>B2460</b>	

2	<b>Size</b>
Connection of 3/4" BSP = <b>5</b>	

3	<b>Variants</b>
Version with padlock	= <b>K</b>
Plumbing of the handle in one of two positions	= <b>PB</b>

## 8.4.5 DIMENSION

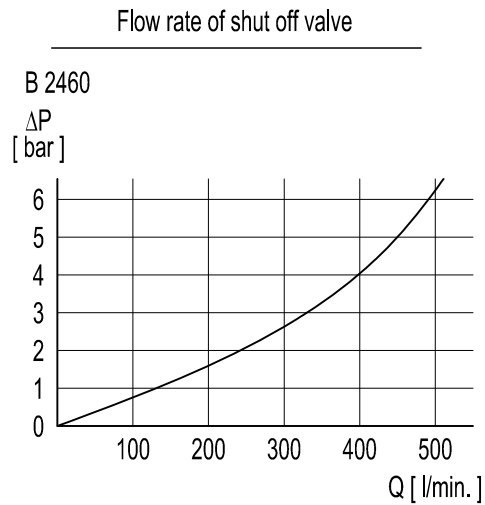


8.5c

## 8.5.6 CHARACTERISTIC CURVES

Measured with viscosity of 36 cSt at 50°C.

$\Delta P$  Curves



8.5d

Reproduction is forbidden.

In the spirit of continuous improvement, our products may be changed.