

### 8.4.1 TECHNICAL DATA

**MAX OPERATING PRESSURE:** 320 bar

**MINIMUM DIAMETER:** 19 mm

**CONNECTIONS:** 3/4 BSP UNI/ISO 228

**WORKING TEMPERATURE:** -20 ÷ 100

**FLUID VISCOSITY RANGE:** 10 ÷ 400 cSt

**RECOMMENDED VISCOSITY:** 36 cSt

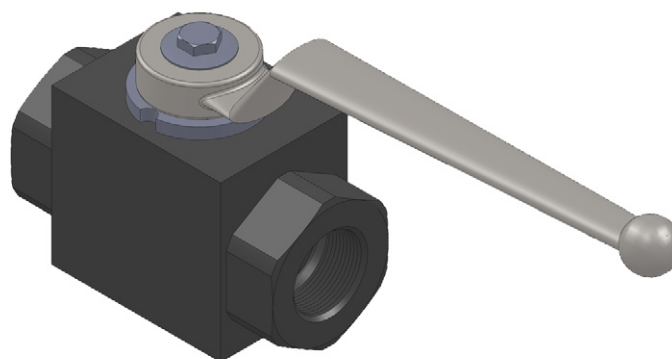
**FLUID CONTAMINATION DEGREE:**  
class 20/18/15 according to ISO 4406/99

**BODY MATERIAL:** phosphated carbon steel

**BALL:** in chromed thick steel

**SEALS:** polyacetal resin and NBR

**LEVER:** zinc-stamped

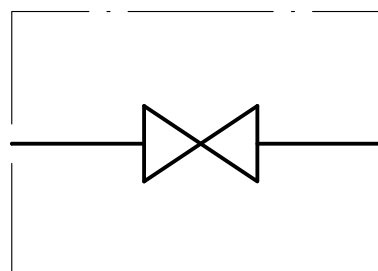


8.4a

### 8.4.2 DESCRIPTION

The two-way ball valve is used to detect the safety valve type VS224 and to remove it for periodic recalibration, without having to fully discharge all the nitrogen of accumulator / accumulator station. The ball of the valve is located between two pre-compressed seals provided with a floating system, so it is guaranteed a perfect seal at both low and high pressure.

### 8.4.4 HYDRAULIC SYMBOL



8.4b

### 8.4.3 ORDER CODE

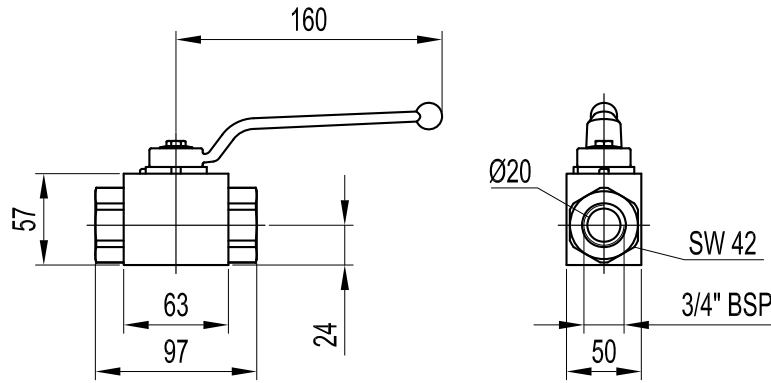
1	2	3
B2459	/	05 K

1	<b>Series</b>
	Shut off 2-way valves gas side = <b>B2459</b>

2	<b>Size</b>
	Connection of 3/4" BSP = <b>5</b>

3	<b>Variants</b>
	Version with padlock = <b>K</b>
	Plumbing of the handle in one of two positions = <b>PB</b>

## 8.4.5 DIMENSION



8.4c

## 8.4.6 CHARACTERISTIC CURVES

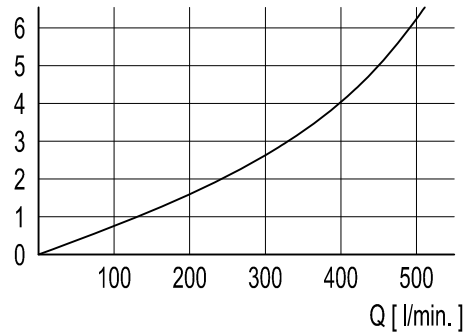
Measured with viscosity of 36 cSt at 50°C.

ΔP Curves

Flow rate of shut off valve

B 2459

ΔP  
[ bar ]



8.4d

Reproduction is forbidden.

In the spirit of continuous improvement, our products may be changed.