

7.1.1 DESCRIPTION

The mounting clamps can be used with all type of accumulators. Secure design provides independent mounting on installations. Rubber insert provided to reduce mechanical vibration, to compensate for shell manufacturing tolerances and to not lie with outward stresses on the connection.

The clamp type C90 has one piece construction with one central screw. All other types have a two pieces construction for easy installation and removal while improving the strength to weight ratio.

We recommend using a single clamp when the length of the accumulator is less than twice the diameter.

For greater lengths, we recommend using two clamps or one clamp and one bracket with support ring.

7.1.2 CONSTRUCTION

The clamps are manufactured of galvanized carbon steel in compliance to directive 2002/95/CE (RoHS) for resist to the corrosion, on request they can be supplied in stainless steel version.

The rubber insert is black NBR rubber nitrile at 80 Shore A.



7.1a

7.1.3 ORDER CODE



1	Series
CLAMP = C	

2	Nominal diameter
Internal diameter range 89÷93 = 90	
114÷122 = 115	
167÷172 = 170	
209÷230 = 220	

3	Elastomer material
Rubber in NBR = P Other on request	

4	Clamp material
Carbon steel galvanized = C	
Stainless steel AISI 316 = X	

7.1.4 DIMENSIONS

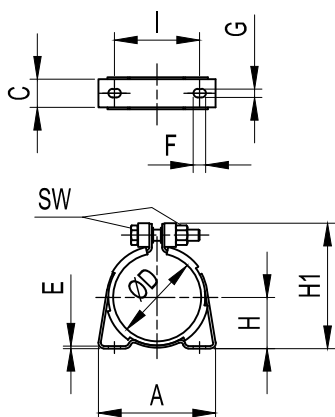


fig. I

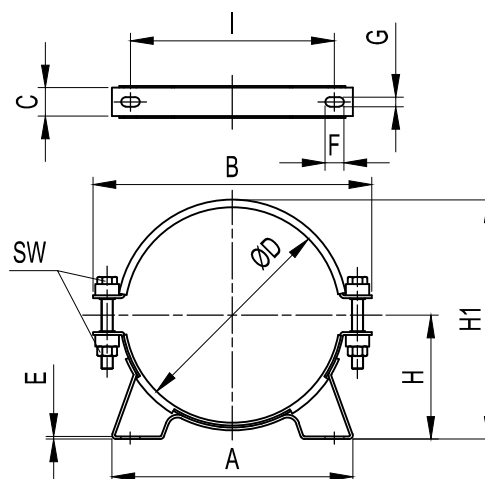


fig. II

7.1b

Clamp nominal size	Clamp order code	Fig.	A mm	B mm	C mm	Ø D mm	E mm	F mm	G mm	H mm	H 1 mm	I mm	SW mm	Acc. dry weight kg
90	C90-**/*	I	125	-	30	89+93	2.5	13	9	53 ÷ 55 (9 + 1/2 ØD)	132.5	90	18	0,65
115	C115-**/*	II	135	195	30	114+122	3	13	9	66 ÷ 70 (9 + 1/2 ØD)	131+139 (17+ØD)	100	18	0,85
170	C170-**/*	II	185	250	30	167+172	3	13	9	95.5 ÷ 98 (12 + 1/2 ØD)	187 ÷ 192 (20+ØD)	146	18	1,1
220	C220-**/*	II	255	295	30	209+230	3	20	10	117 ÷ 127.5 (12.5 + 1/2 ØD)	230 ÷ 251 (21+ØD)	216	18	1,35

7.1c

7.1.5 USAGE TABLE

Clamp nominal size	Int. Ø dimension	Bladder accumulator type	Piston accumulator type	Diaphragm accumulator type	Additional bottle type
90	89 ÷ 93	AS / ASP 0.7 ASL 0.7	-	AMS 0.32 - 0.75	
115	114+122	AS / ASP 1 - 1.5 - 3 ASL / AST 1 - 1.5 - 3 ASB 1.5 - 3 ASBL / ASBT 1.5 - 3 ASA 1/4	-	AM 0.5 - 0.75 - 1.5 - 2.5 AML 0.8 - 1.5	ASS 3 ASSA 1/4
170	167+172	AS / ASP 5 ASL / AST 5 ASB 5 ASBL / ASBT 5 ASA 1	-	-	ASS 5 ASSA 1
220	209+230	AS / ASP 10 ÷ 55 ASL / AST 10 ÷ 55 ASB 10 ÷ 55 ASBL / ASBT 10 ÷ 55 ASA 2.5 ÷ 15	AP **/***/***/* 180	-	B 52-75 ASS 10 ÷ 55 ASSA 2.5 ÷ 15 AB **/***/* 180

7.1d

Reproduction Is Forbidden.

In The Spirit Of Continuous Improvement, Our Products May Be Changed.